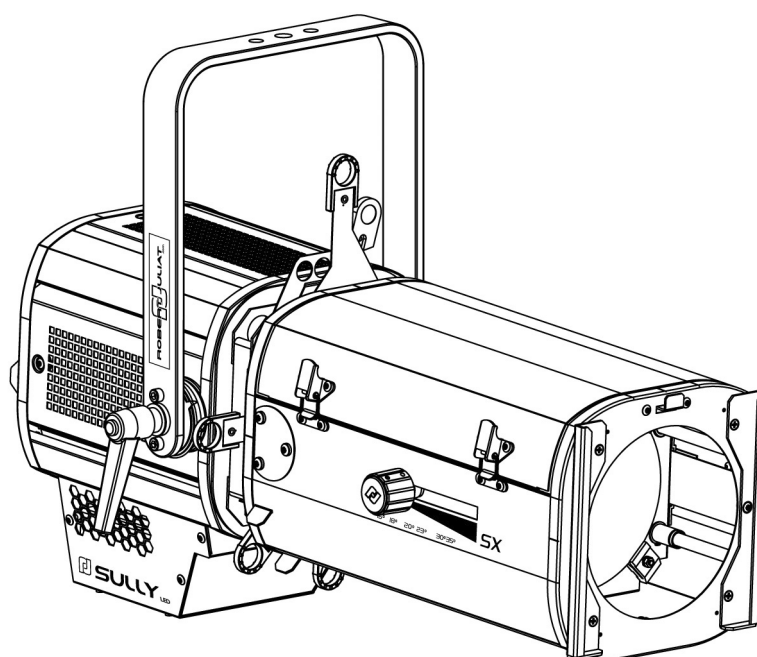


SULLY 650SX

Manual

LED PROFILE SPOT



REF	Standard	North American
28 - 54°	653SX	653CSX
16 - 35°	654SX	654CSX
11 - 26°	651SX	651CSX

115W LED PROFILE SPOT

V1

VALIDATION : 17/12/20

DN41201900 (EN)



ROBERT JULIAT

Table of Contents

1	User's instructions	1
2	Presentation	2
2.1	Functions	2
2.2	Identification labels	2
2.2.1	label on LED compartment	2
2.2.2	label on lighting unit	3
2.3	Accessories included	3
2.4	Accessories	4
3	Set-up	5
3.1	Mechanics	5
3.1.1	Operating positions	5
3.1.2	Minimum distance between a flammable material and the lighting unit	5
3.1.3	Instructions for use	5
3.1.4	Hanging	5
3.1.5	Safety cable	6
3.2	Electrical information	6
3.2.1	LED source	6
3.2.2	Power supply	6
3.3	DATA	7
3.3.1	DMX 512-A / RDM	7
3.3.2	Art-Net / sACN	8
3.4	Accessories	8
3.4.1	Front filter holder	8
3.4.2	Internal filter holder	9
3.4.3	Gobo holder / Iris	9
3.4.4	Shutters	10
4	Operations	11
4.1	Light intensity	11
4.1.1	Range	11
4.1.2	Control	11
4.1.3	Parameters	11
4.1.3.1	Dimming resolution - DMX only	11
4.1.3.2	Dimming curve	11
4.1.3.3	Set maximum position	12
4.1.3.4	Dimming mode	12
4.2	Strobe	13
4.2.1	Range	13
4.2.2	Control	13
4.3	Response time	13
4.3.1	Range	13
4.3.2	Control	13
4.4	Beam size adjustment	14
4.4.1	Range	14
4.4.2	Control	14
4.5	Orientation	14
4.5.1	Range	14
4.5.2	Control	15
4.6	Colour	15
4.7	Beam shaping	16
4.7.1	Range	16
4.7.2	Control	16
4.8	Beam rotation	17
4.8.1	Range	17
4.8.2	Control	17
4.9	Gobos	18
5	Controls and parameters	19
5.1	Web interface	19
5.1.1	Control	19
5.1.2	Default IP address	19
5.1.3	Network IP of the computer	19
5.1.4	Connect to web interface	19
5.2	LEDs Feedback	20
5.2.1	Trouble shooting	20
5.2.2.1	Intensity	20
5.2.2.2	Auto-OFF	20
5.3	DMX512 - A remote control	21
5.3.1	Protocol	21
5.3.2	Configuration	21
5.3.3	Parameters	21
5.3.3.1	DMX Hold	21
5.3.4	DMX chart	22
5.3.5	DMX ranges	22
5.3.5.1	Strobe duration	22
5.3.5.2	Strobe speed	22
5.3.5.3	Response time	22
5.3.5.4	Control mode	22
5.4	RDM remote control	23
5.4.1	Protocol	23
5.5	Art-Net remote control	24
5.5.1	Protocol	24
5.5.2	Configuration	24
5.6	sACN remote control	25
5.6.1	Protocol	25
5.6.2	Configuration	25
6	Service	26
6.1	Preventive maintenance	26
6.1.1	Frequency	26
6.1.2	General cleaning	26
6.1.3	General visual check	26
6.1.4	LED source	26
6.1.5	Optics	26
6.1.6	LED house cleaning	26
6.2	Analysis	27
6.3	Electronic thermal management system	28
6.4	Firmware update	28
6.5	Factory defaults	28
6.5.1	Modes	28
6.5.2	Control	28

GENERAL INSTRUCTIONS

1. Not for residential use.
2. These fixtures must only be serviced by a qualified technician.
3. In addition to the instructions indicated on this page, relevant health and safety requirements of the appropriate EU Directives must be adhered to at all times.
4. This fixture is in compliance with section 17 - Lighting appliance for theatre stages, television, cinema and photograph studios. Standards NF EN 60598-1, NF EN 60598-2-17, Low Voltage Directive 2014/35/UE & EMC Directive 2014/30/UE.
5. This fixture is rated as IP20, and is for indoor use only.

FIXTURE

6. Ensure fixture is correctly mounted on an appropriate support.
7. Protection screens and lenses must be replaced in the event of any damage, such as cracks or deep scratches, since these might reduce performance.
8. When hung or flown the fixture must be secured by an additional hanging accessory (such as a safety cable or bond) of suitable length.
9. Safety bonds or cables must be securely attached to the back of the fixture and be as short as possible, or rolled up as necessary, to minimise travel distance should the fixture be dislodged.
10. Movable accessories (scroller, etc.) must also be secured with a suitable safety cable or bond at the front of the fixture.
11. The combined weight of both the fixture and the accessories must be considered when choosing the load-bearing capability of safety cable or bond.
12. Do not open lighting fixture when the source is on.
13. WARNING: LED source become hot during use. Allow fixture to cool before servicing.
14. Do not tamper with design of fixture nor any of its safety features.
15. Tighten electrical mains cable connections regularly and replace with one of identical specification if damaged.
16. Use only with correct power supply.

VENTILATION

17. Keep well away from flammable material.
18. Not for outdoor use. Do not cover. Do not permit fixture to get wet.
19. To avoid overheating, do not obstruct air vents.
20. Ensure any cooling fans are in correct working order. If fans are not working, turn fixture off immediately and service as necessary.

CLEANING

21. Do not touch the LED source with your fingers.
22. To clean the optical parts, use a soft cloth in combination with distilled water or isopropyl alcohol recommended for coated optics. Do not use any cleaning product that contains solvents or abrasives, as these can cause surface damage. Dry with a soft lint-free cloth.
23. Regularly remove dust with a soft lint-free cloth.
24. If the fixture has filters, they must be cleaned frequently.

POWER SUPPLY

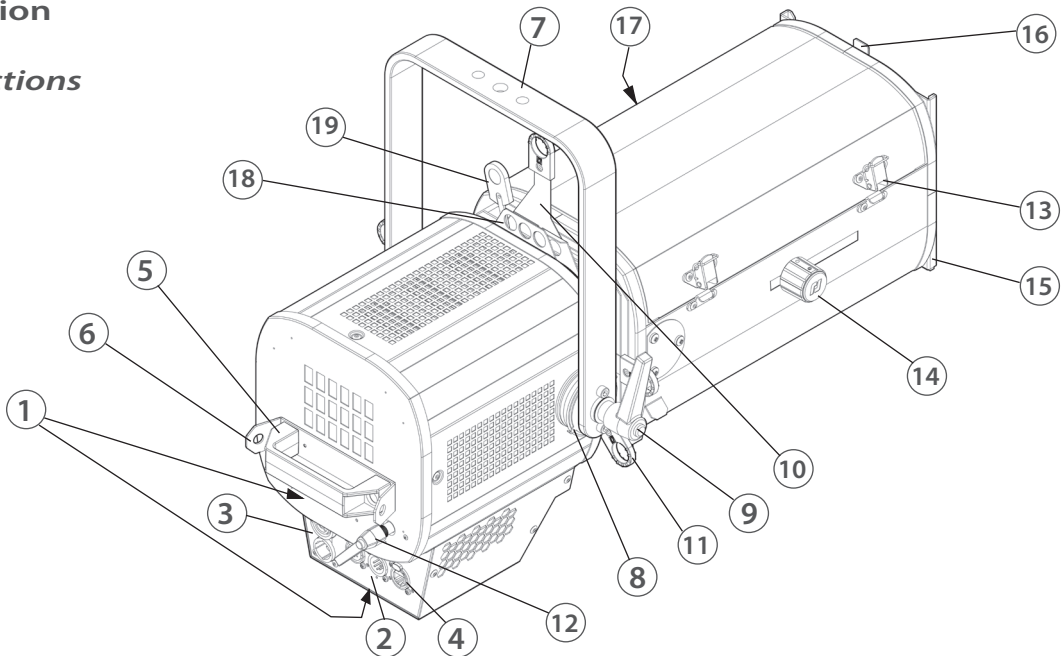
25. Disconnect from the mains before servicing.
26. Mains connection only. Do not connect to "electronic output" such as dimmer.
27. Ensure power supply circuit breakers, always remain accessible.

PLEASE NOTE

This product has been built to conform to European standards relating to professional lighting equipment. Any modification made to our products will void the manufacturers' warranty.

2 Presentation

2.1 Functions



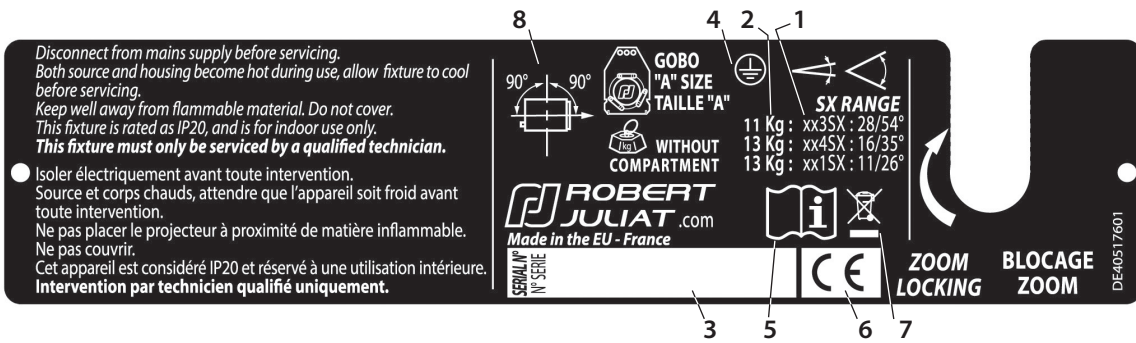
Description	
1. Identification plates	11. Shutter locking system
2. Data connector (IN and OUT)	12. Lens tube rotation locking button
3. Power connector (IN and OUT)	13. Lens tube access
4. RJ45 network connector	14. Zoom adjustment
5. Handle	15. Front slot for accessories and gel frame holder
6. Safety cable attachment point	16. Front slot locking system
7. Hanging yoke	17. Focus adjustment
8. Tilt index	18. Gobo holder
9. Tilt locking handle	19. Iris
10. Shutters	

2.2 Identification labels

2.2.1 label on LED compartment

Description	
<p>LED FIXTURE</p> <p>Lire le manuel avant utilisation - Utilisation et maintenance par professionnel uniquement / Read manual before use - Service only by qualified personnel.</p> <p>MOD. 1 VERS. 2 11 9</p> <p>U 3 I 4 10</p> <p>P 5 IP 6</p> <p>t^a 7 t^c 8</p> <p>ROBERT JULIAT.com</p> <p>Made in the EU - France -</p> <p>SERIE SERIAL 12</p>	<ol style="list-style-type: none"> MOD. : Model VERS. : Version U : Nominal voltage input (V) I : Nominal intensity (A) P : Maximum power input (W) IP : International Protection Rating t^a : Maximum ambient temperature (°C) t^c : Maximum external temperature of the unit (°C) Net weight (kg) Minimum distance between a flammable material and the lighting unit (m) Colour temperature version Serial number Replace broken glass Class 1 product label Read manual first label European conformity label WEEE directive label CEI-TR-62778 - Do not stare at light source
<p>Units :</p> <ul style="list-style-type: none"> - Weight = kilogram (kg). - Intensity = Ampere (A). - Voltage = Volt (V). - Frequency = Hertz (Hz). - Temperature = degree Celsius (°C). 	

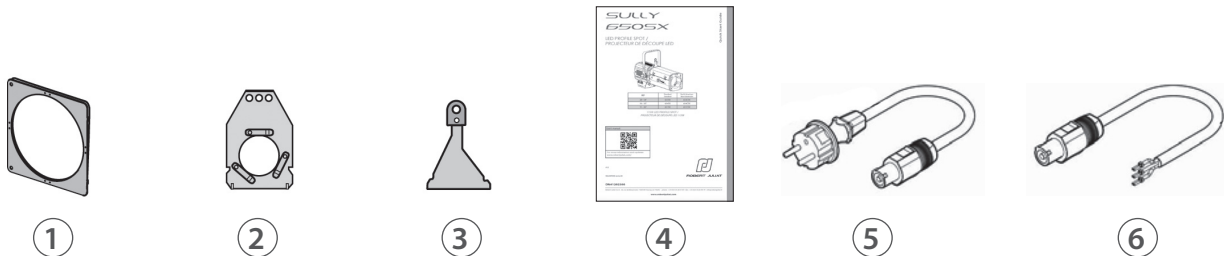
Description



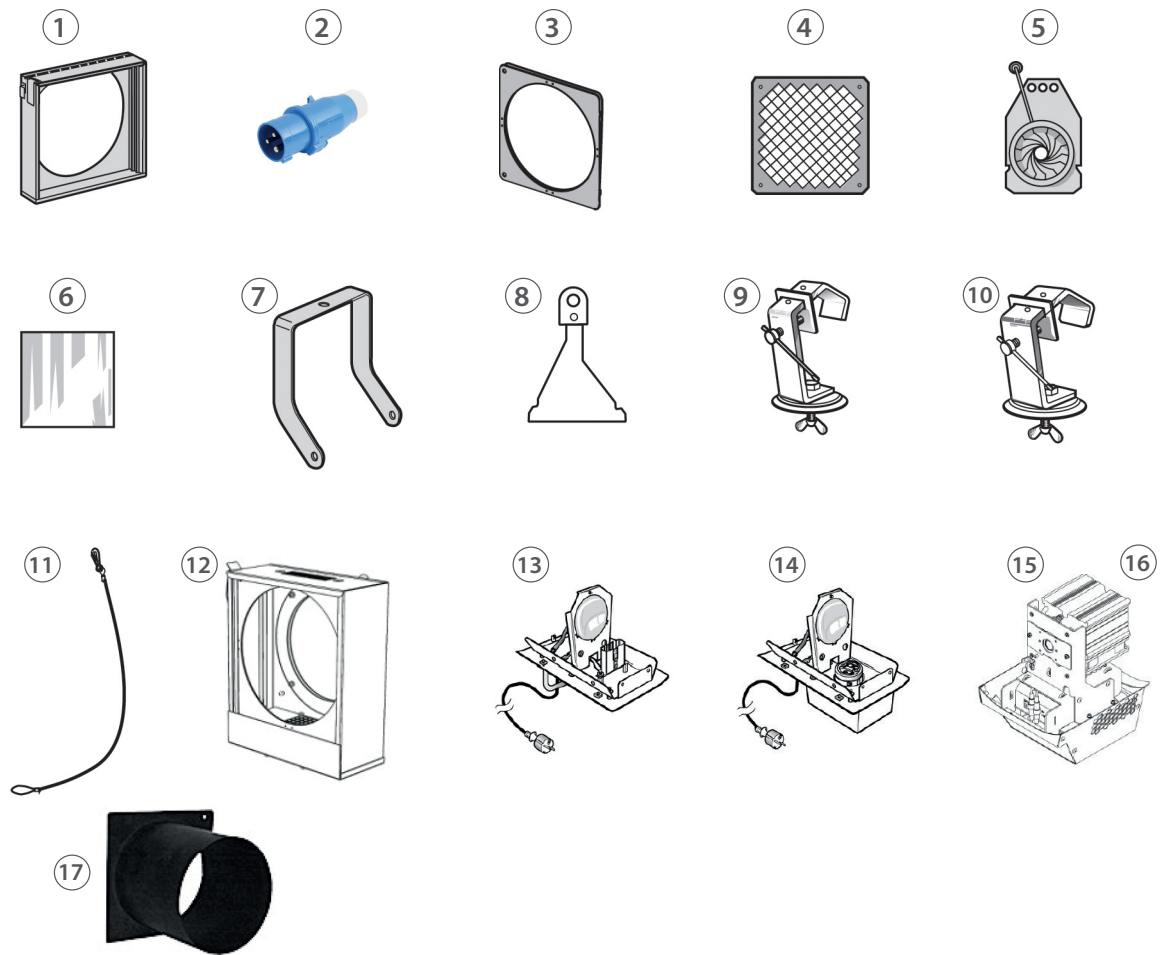
1. Model beam angles
2. Net weight (kg) without LED compartment
3. Serial number
4. Class 1 product label
5. Read manual first label
6. European conformity label
7. WEEE directive label
8. Operating positions

Units :
 - Weight = kilogram (kg).
 - Intensity = Ampere (A).
 - Voltage = Volt (V).
 - Frequency = Hertz (Hz).
 - Temperature = degree Celsius (°C).

2.3 Accessories included



	Reference	Description
1	PF500M2	180 x 180 mm (7.1 x 7.1 in) metal filter holder
2	SGUX	Universal A-size gobo holder (metal, glass, frosted glass)
3	D8	Shutters (x4)
4	DN41202300	Quick Start manual
1	CAL03	3 meter power cable (3G1,5 HO7RNF) with Neutrik PowerCon® True1 TOP and CEE 7/7 (2P+T NF/SCHUKO) connectors (standard version)
2	CAL04	1,50m power cable UL/CSA with Neutrik PowerCon® True1 TOP connector (North American version)

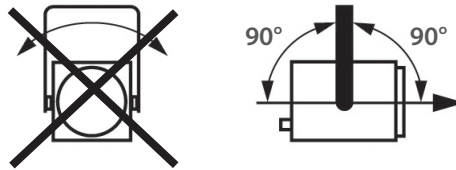


	Reference	Description
1	CAV 600A	Double slot front cassette for 180x180mm accessories
	CAV 600AE	Double slot front cassette for 185x185mm accessories
2	PCP1716A	16A blue 2P+E 6h IEC60309 power connector
3	PF600M2	185 x 185 mm (7.28 x 7.28 in) metal filter holder
4	G500	180 x 180mm safety grid
5	IWSX755	Drop-in iris (monoplane) with holder
6	VD 120	120x120mm inner frosted glass
7	FCD600	Angled yoke
8	D8	Shutter
9	876	40 x 10mm hook clamp with 28mm screw for Ø35 to Ø50mm
10	880	40 x 10mm hook clamp with 28mm screw for Ø50 to Ø63mm
11	CS2	Safety cable (length = 600mm)
12	RPF613	180 x 180mm front extension cassette for 215x215mm accessories without fan (recommended for dark colours on 613SX/663SX)
	RPF613E	180 x 180mm front extension cassette for 245x245mm accessories without fan (recommended for dark colours on 613SX/663SX)
13	T/600SX	Lamp compartment for 1000/1200W tungsten GX9,5 lamps - 3 meter power cable with CEE 7/7 (2P+T NF/SCHUKO) connector - weight: 1.36 Kg
14	T/600VSX	Lamp compartment for 1000/1200W tungsten G22 lamps with fan -3 meter power cable with CEE 7/7 (2P+T NF/SCHUKO) connector - weight: 2.03 Kg
15	T/650SXCW	SULLY 115W LED compartment - Cool White - 3 meter power cable with CEE 7/7 (2P+T NF/SCHUKO) connector - weight: 2.27 Kg
16	T/650SXWW	SULLY 115W LED compartment - Warm White - 3 meter power cable with CEE 7/7 (2P+T NF/SCHUKO) connector - weight: 2.27 Kg
17	TH600	180x180mm "Top hat" (without safety cable)

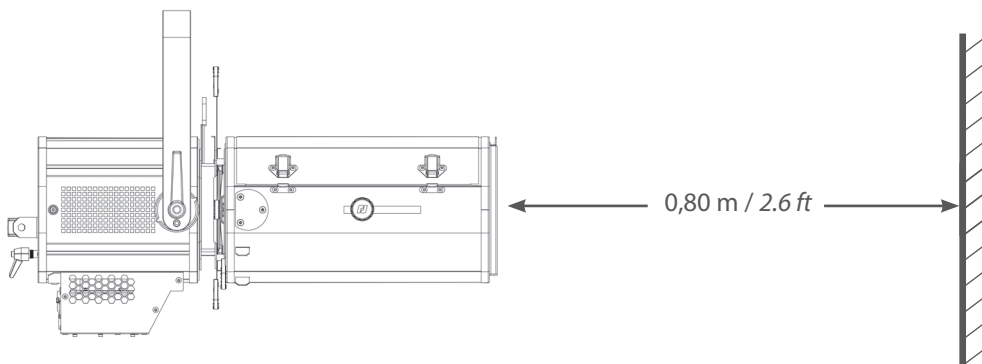
3 Set-up

3.1 Mechanics

3.1.1 Operating positions



3.1.2 Minimum distance between a flammable material and the lighting unit



3.1.3 Instructions for use



Minimum : 5°C
40°F

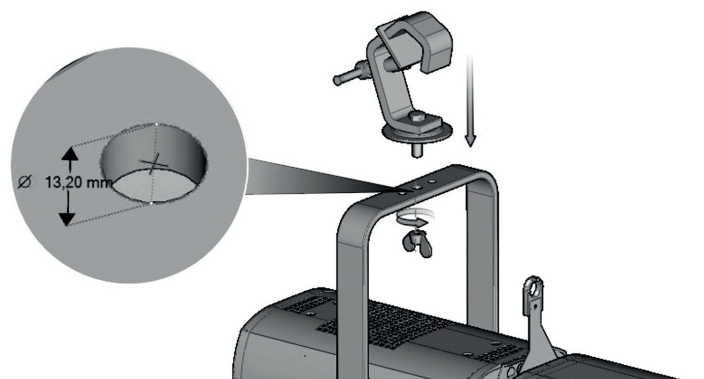


Maximum : 40°C
104°F

IP20 - Indoor use only

3.1.4 Hanging

- Ensure fixture is correctly mounted on an appropriate support



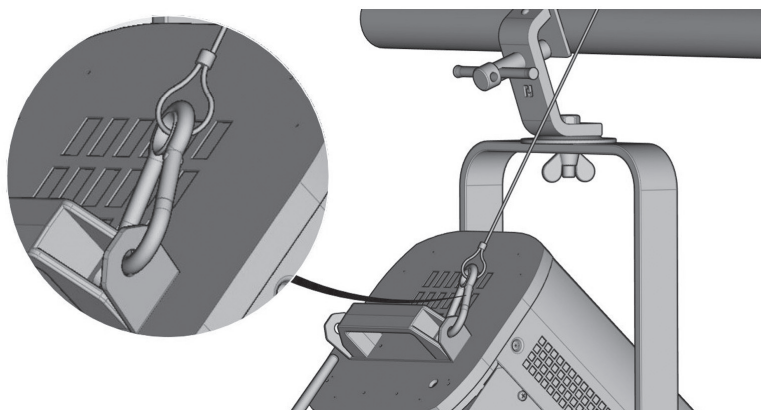
Net weight:

653SX = 12.2 kg (26.8 lbs)

654SX = 13.6 kg (29.9 lbs)

651SX = 13.9 kg (30.6 lbs)

3.1.5 Safety cable



- When hung or flown the fixture must be secured by an additional hanging accessory (such as a safety bond or cable) of suitable length.
- The combined weight of both the fixture and the accessories must be considered when choosing the load-bearing capability of safety cable or bond.
- Safety cables or bonds must be securely attached to the back of the fixture and be as short as possible, or rolled up as necessary, to minimise travel distance should the fixture be dislodged.


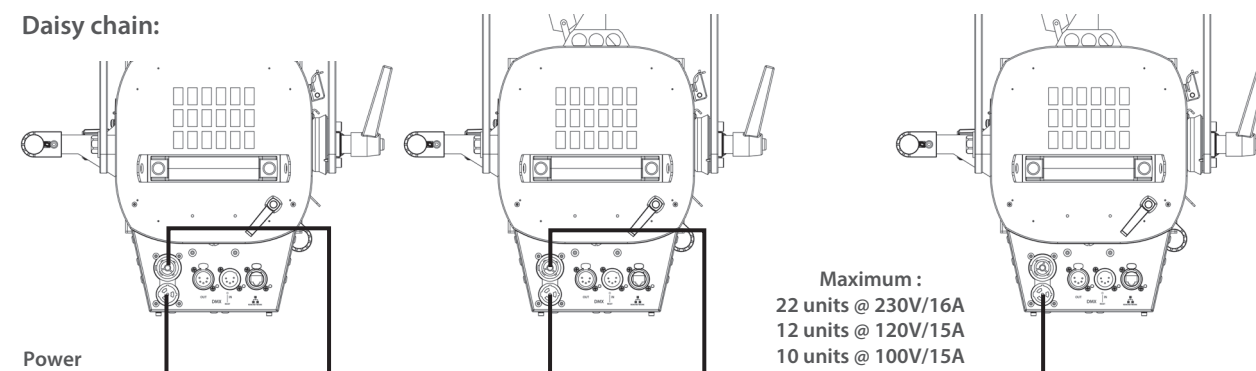
3.2 Electrical information

3.2.1 LED source



Never touch or scratch the LED surface.
See 6.1.4 LED cleaning procedure if cleaning is necessary.

3.2.2 Power supply

Power supply							
Voltage	Frequency	Input power	Connectors				
100 → 240 V	50-60 Hz	0,7 A / 130 W @ 230V 1,15 A / 135 W @ 120V 1,40 A / 135 W @ 100V	Neutrik powerCON TRUE1 TOP Input : ref. NAC3FPX-TOP				
 <ul style="list-style-type: none"> • Class 1 product. This luminaire must be earthed. • Must be connected directly to AC power. Do not connect to dimmer power. • Automatic mains voltage detection. 							
<p>Daisy chain:</p>  <table border="1" style="margin-left: auto; margin-right: auto;"> <tr> <td>Maximum :</td> </tr> <tr> <td>22 units @ 230V/16A</td> </tr> <tr> <td>12 units @ 120V/15A</td> </tr> <tr> <td>10 units @ 100V/15A</td> </tr> </table>				Maximum :	22 units @ 230V/16A	12 units @ 120V/15A	10 units @ 100V/15A
Maximum :							
22 units @ 230V/16A							
12 units @ 120V/15A							
10 units @ 100V/15A							

Power cable

Power cable		Connector	Mains plug	Cable type	Cable length	Wiring
1	Standard version	Neutrik® powerCON TRUE1 TOP NAC3FX-W-TOP	CEE7/7	3G1.5 H07RNF	3 m 9.8 ft	Live: Brown Neutral: Blue Ground: Yellow/Green
2	North American version		-	14AWG SJ TYPE (UL/CSA)	1.5 m 4.9 ft	Live: Black Neutral: White Ground: Green

3.3 DATA

3.3.1 DMX 512-A / RDM

Protocol		Input connector	Output connector
USITT DMX 512-A RDM		XLR 5-pin	XLR 5-pin

DATA connectors			
PIN #	DMX	Description	
1	Shielding	Foil & Braided Shield	
2	DMX (-)	1 st conductor of 1 st twisted pair	
3	DMX (+)	2 nd conductor of 1 st twisted pair	
4	Not used	1 st conductor of 2 nd twisted pair	
5	Not used	2 nd conductor of 2 nd twisted pair	

Daisy chain:

Maximum :
32 units total

3.3.2 Art-Net / sACN

- With external switch

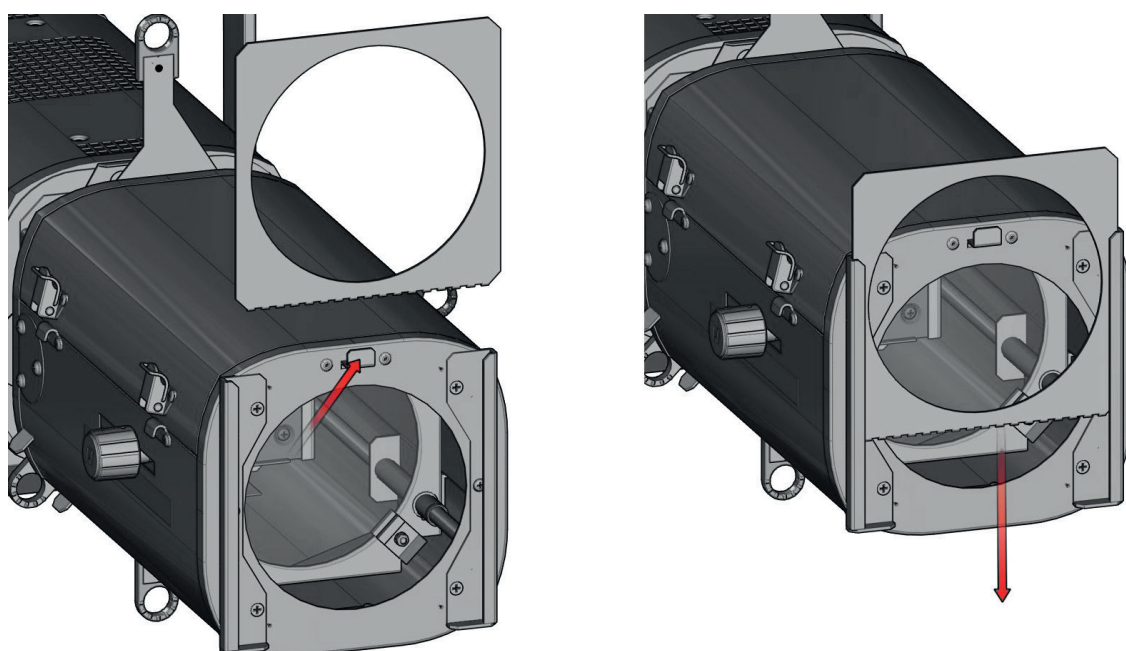
Protocol	Input connector	Output connector
Art-Net sACN	RJ45	-

Daisy chain:

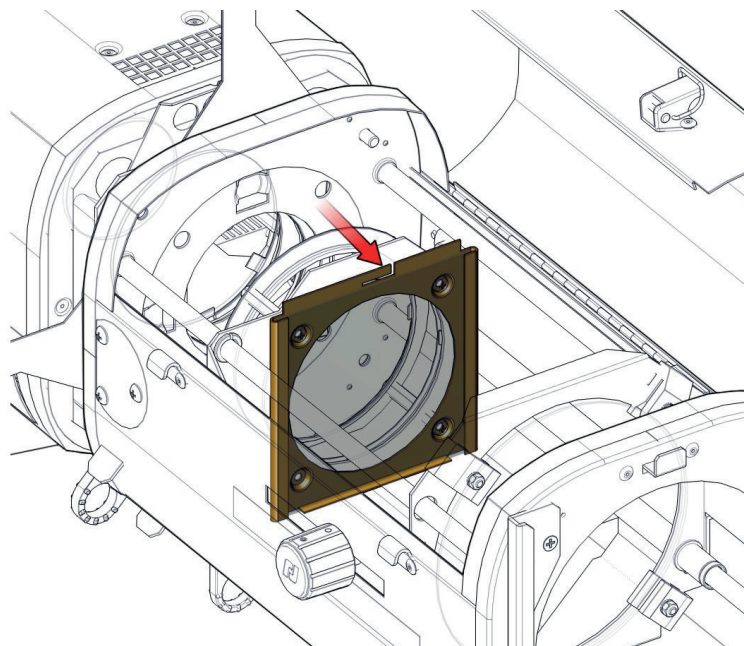
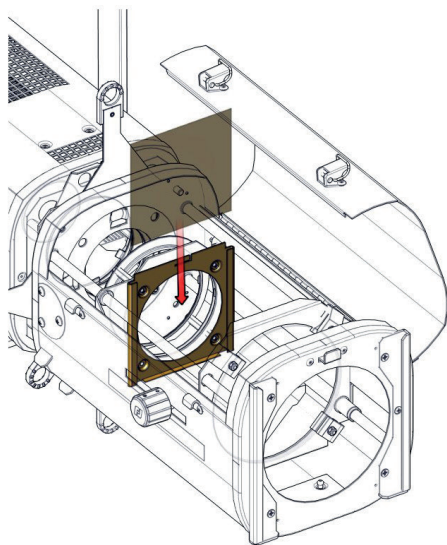
(*) A 1000 base-T switch that supports IGMP (Internet Group Management Protocol) is necessary if the unit is connected to a network switch to control multiple devices. The usage of non IGMP switch capability can cause erratic behavior of all connected devices.
For further reading: https://en.wikipedia.org/wiki/Internet_Group_Management_Protocol

3.4 Accessories

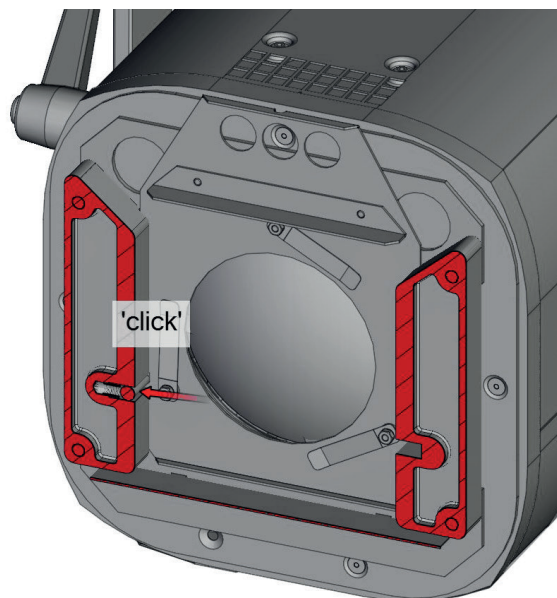
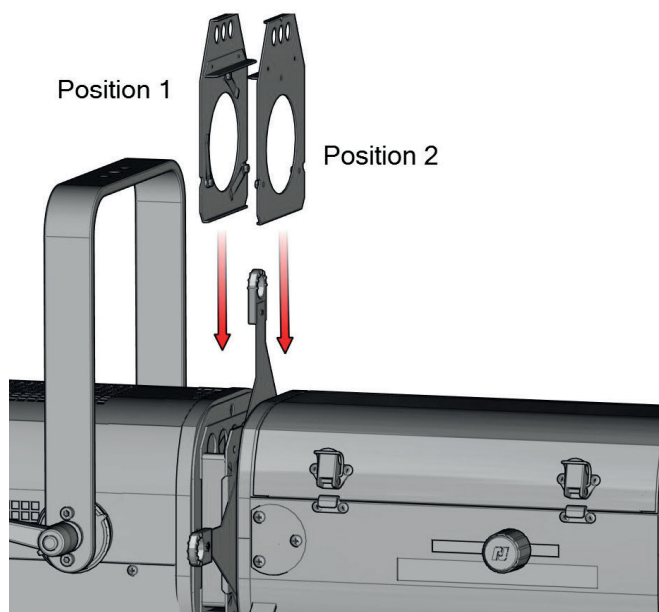
3.4.1 Front filter holder

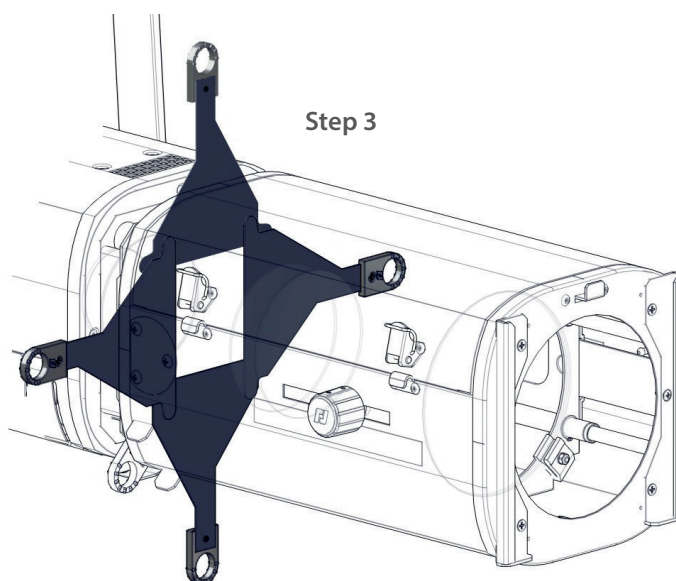
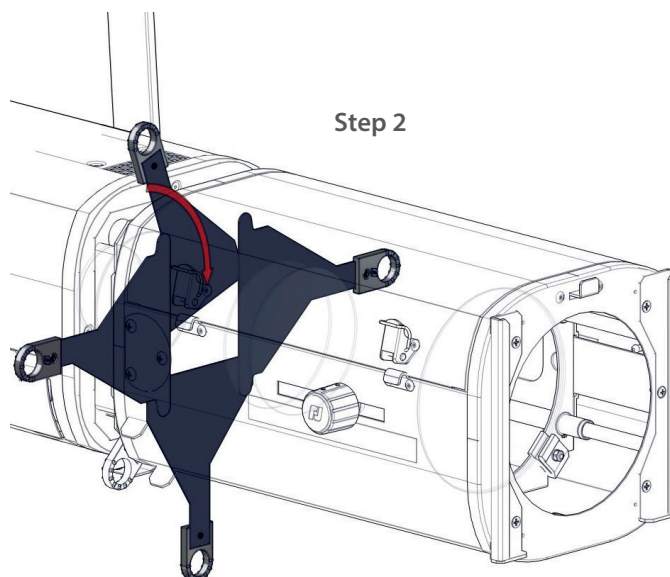
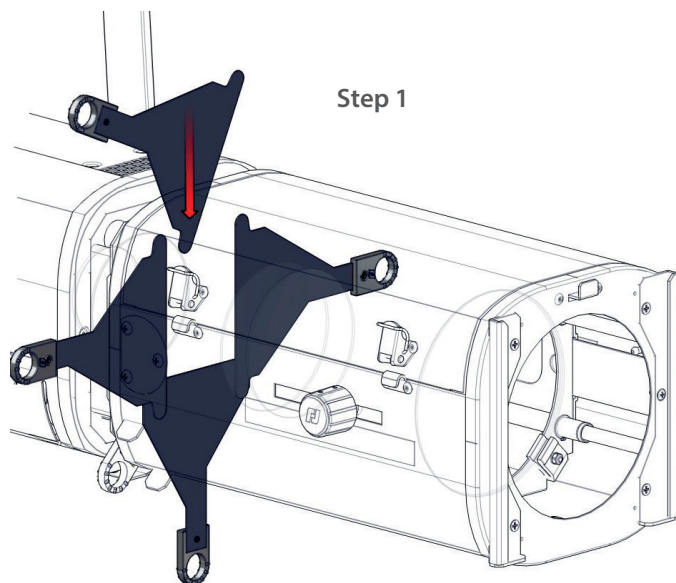


3.4.2 Internal filter holder



3.4.3 Gobo holder / Iris





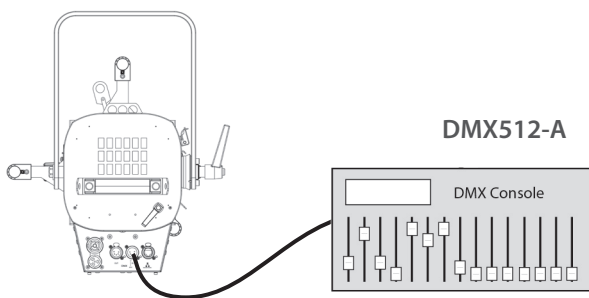
4.1 Light intensity

4.1.1 Range

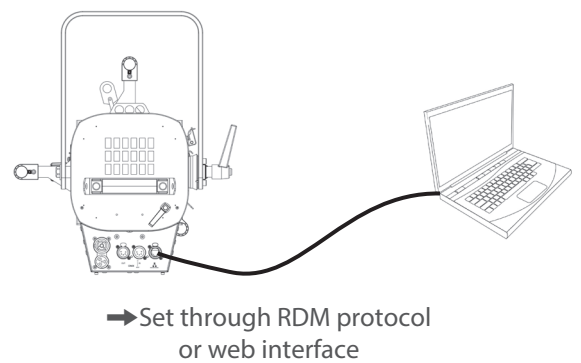


4.1.2 Control

Remotely with DMX512-A protocol
Art-Net / sACN



Locally via Standalone mode



4.1.3 Parameters

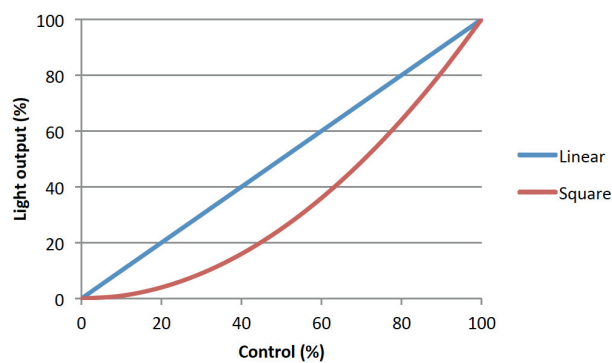
4.1.3.1 Dimming resolution - DMX only

→ Set through RDM protocol or web interface

Resolution	DMX mode
8 bits – 255 steps	1 - 3
16 bits – 65 535 steps	2 - 4

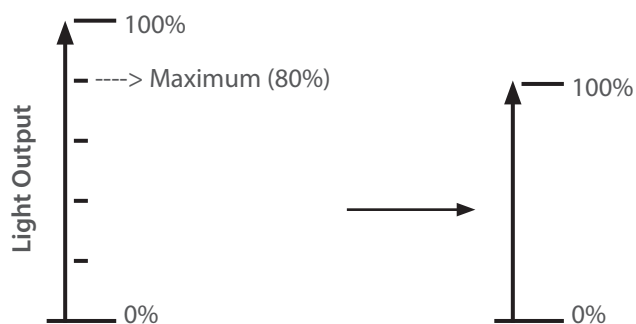
4.1.3.2 Dimming curve

→ Set through RDM protocol or web interface



4.1.3.3 Set maximum position

→ Set through RDM protocol or web interface



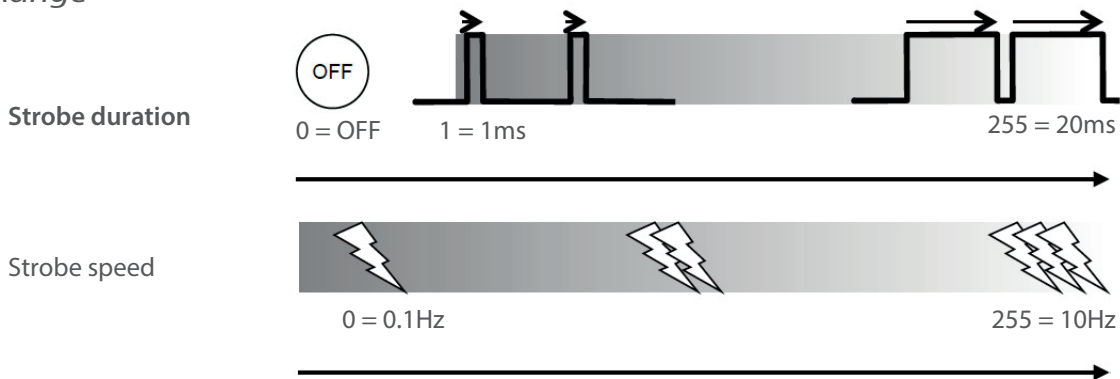
4.1.3.4 Dimming mode

→ Set through RDM protocol or web interface

Mode	Result
Without PWM	Flicker-Free, perfect for filming
PWM 17 kHz	Good dimming quality (Default Value)
PWM 3,2 kHz	Very good dimming

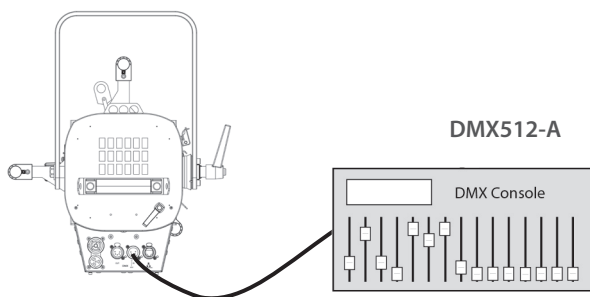
4.2 Strobe

4.2.1 Range



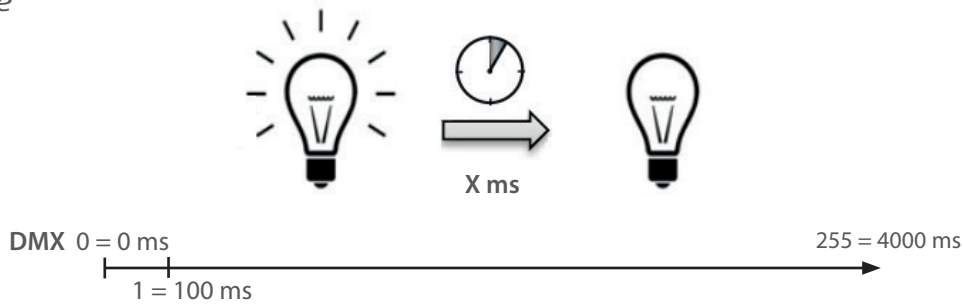
4.2.2 Control

➔ Remotely with DMX512-A / Art-Net / sACN protocols
 Mode 3 – 4



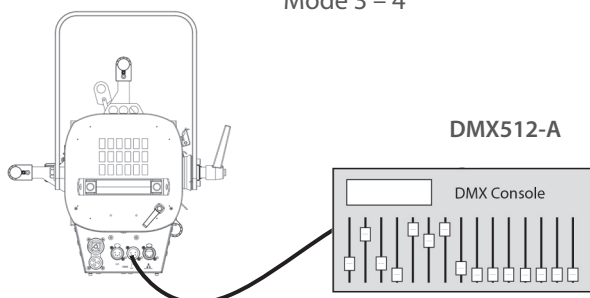
4.3 Response time

4.3.1 Range



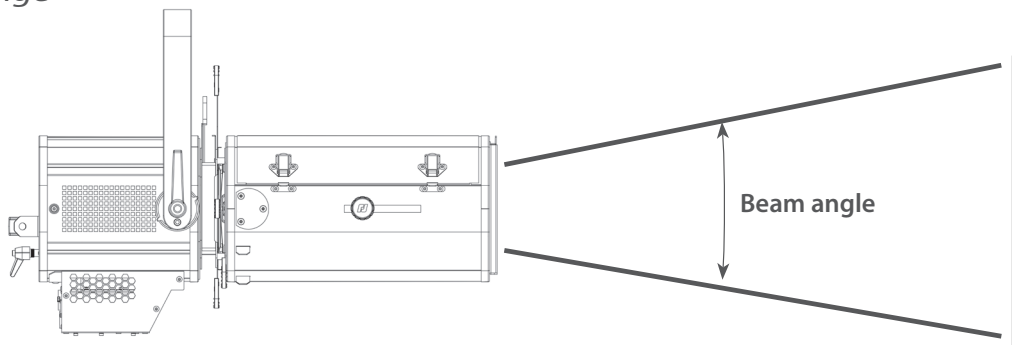
4.3.2 Control

➔ Remotely with DMX512-A / Art-Net / sACN protocols
 Mode 3 – 4



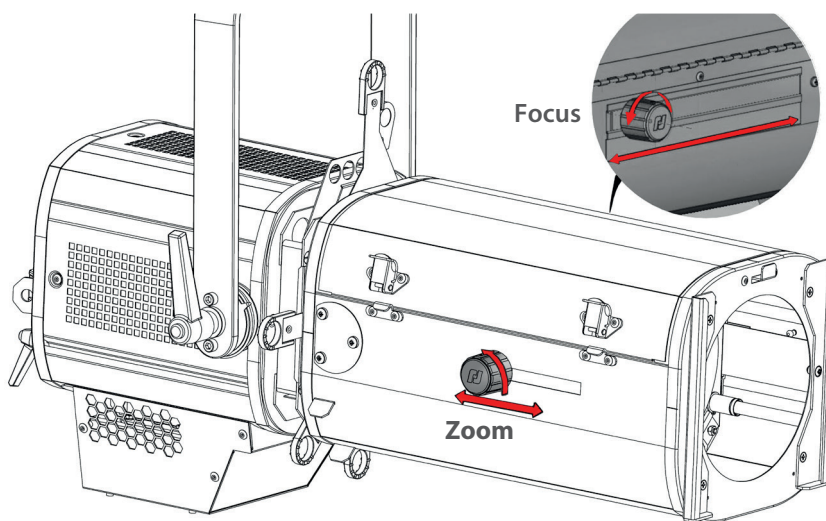
4.4 Beam size adjustment

4.4.1 Range



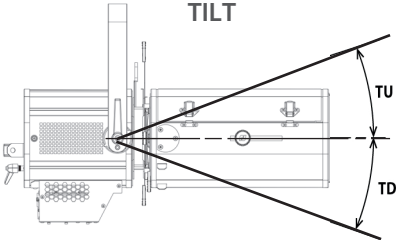
Model	Minimum angle	Maximum angle
653SX / 653CSX	28°	54°
654SX / 654CSX	16°	35°
651SX / 651CSX	11°	26°

4.4.2 Control

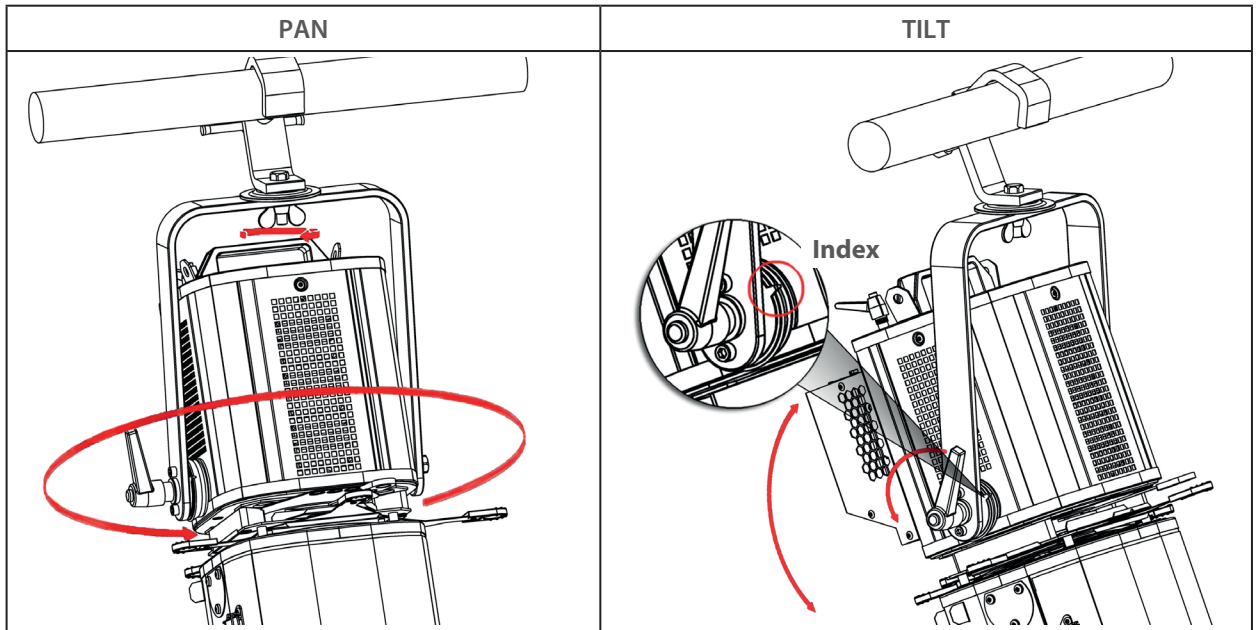


4.5 Orientation

4.5.1 Range

Function	Range
PAN	0 → 360°
TILT	 TU = 0 → 63° TD = 0 → 90°

4.5.2 Control



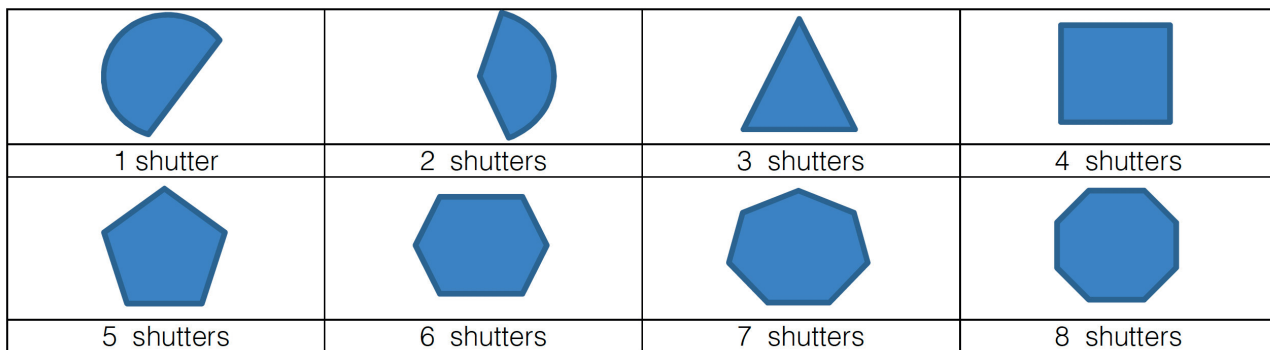
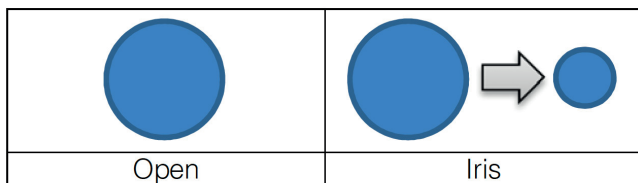
4.6 Colour

Fixed colour:

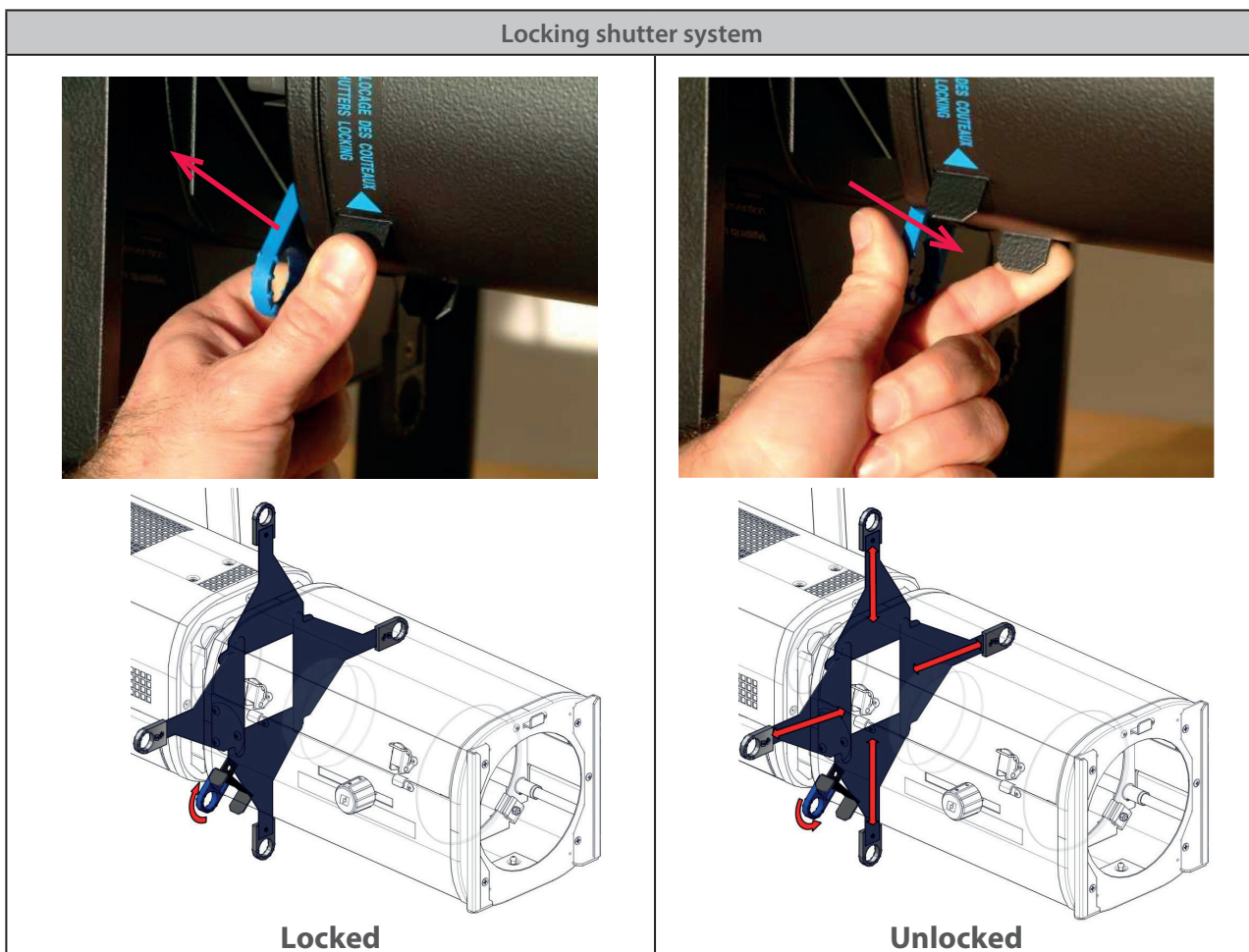
<p>Location</p>		
	<p>1. Front filter holder</p>	<p>2. Internal filter holder</p>
<p>Type</p>	<p>Standard coloured gel filter</p>	<p>Frosted or dichroic glass</p>
<p>Dimensions</p>		
<p>Installation</p>	<p>See 3.4.1</p>	<p>See 3.4.2</p>

4.7 Beam shaping

4.7.1 Range





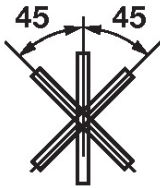
4.7.2 Control



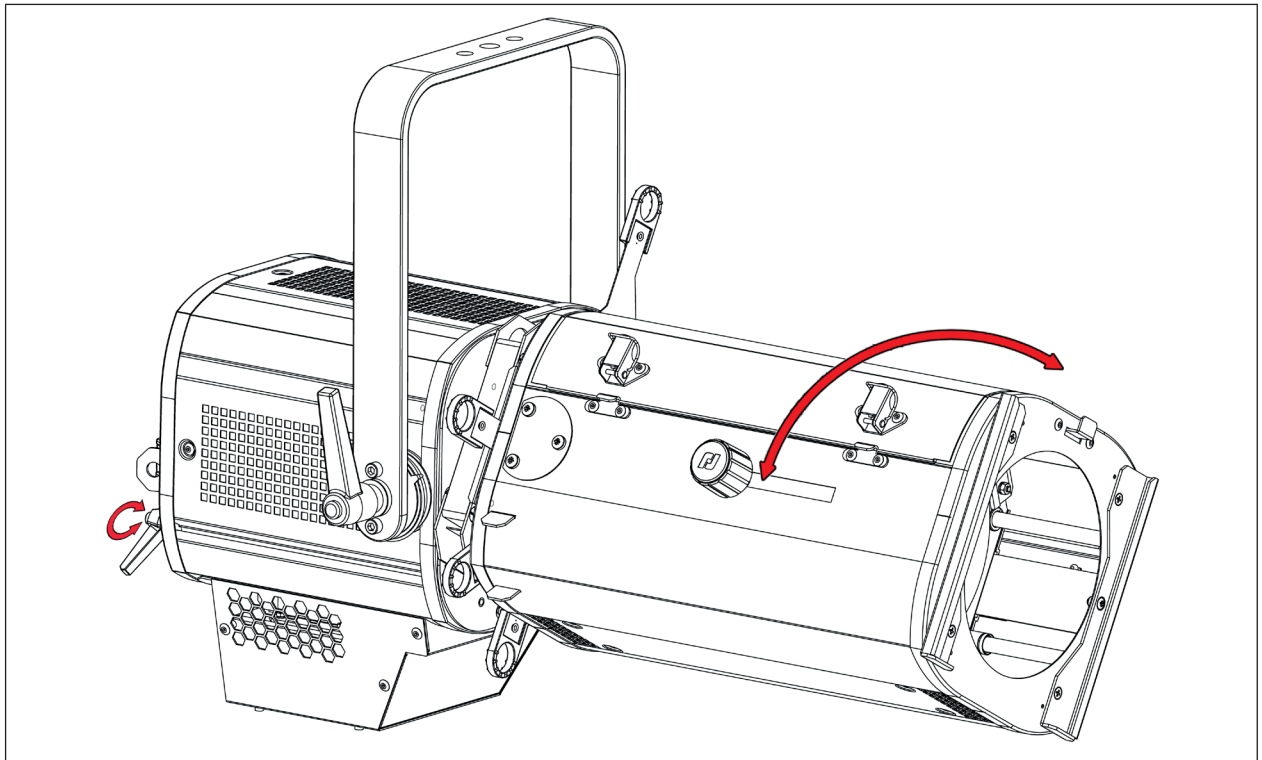
See 3.4 Accessories for gobo, iris and additional shutters installation

4.8 Beam rotation

4.8.1 Range

Function		Range
		
Gobo	Shutters	

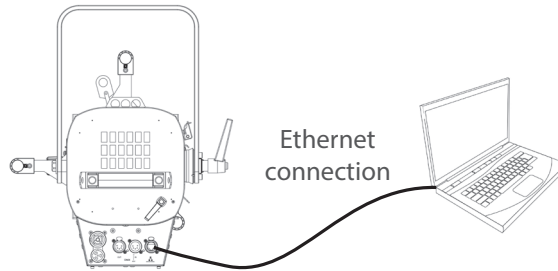
4.8.2 Control



<p>Location</p>		
<p>Type</p>	<p>Metal / Glass</p>	
<p></p>	<p>A-size</p>	
<p>Installation</p>	<p>Position 1</p>	<p>Position 2</p>

5.1 Web interface

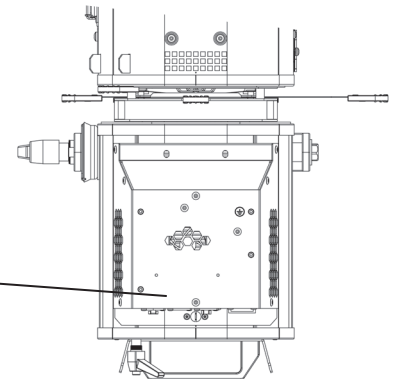
5.1.1 Control



The fixture must be connected to a compatible network or directly to a computer using an ethernet cable.

5.1.2 Default IP address

By default :
 DHCP = OFF
 Address = 2.XXX.XXX.XXX
 Mask = 255.0.0.0



➔ If IP address unknown (due to a previous modification), a hard reset must be done (see 6.5 Factory defaults).

5.1.3 Network IP of the computer

The computer must be on the same network as the Sully fixture.

Please refer to your computer Operating System to change IPV4 parameters :

- **Microsoft Windows:**

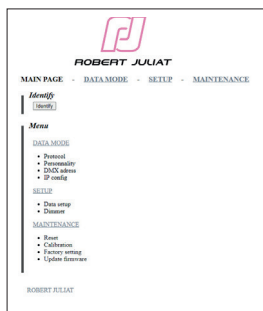
<https://support.microsoft.com/en-us/windows/change-tcp-ip-settings-bd0a07af-15f5-cd6a-363f-ca2b6f391ace>

- **MAC OS:** <https://support.apple.com/en-gb/guide/mac-help/mchlp2718/10.15/mac/10.15>

- 1 - ADDRESS = 2.XXX.XXX.YYY with $YYY \neq XXX$
Do not use the same IP address as the Sully fixture
- 2 - MASK = 255.0.0.0

5.1.4 Connect to web interface

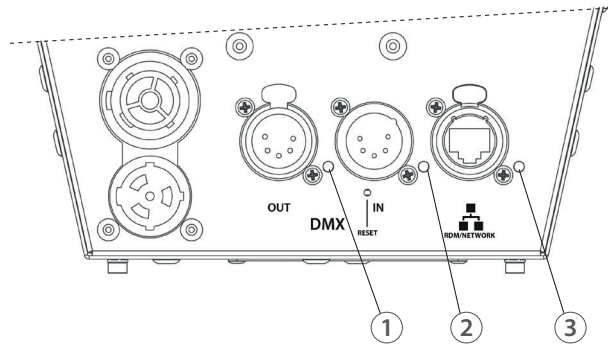
- 1 - Open a web browser (Microsoft Edge, Firefox, Apple Safari...)
- 2 - Enter the URL address of the Sully fixture: <http://2.XXX.XXX.XXX>



- 3 - All parameters can be now modified

5.2 LEDs Feedback

5.2.1 Trouble shooting:



• During unit initialisation (power up) – up to 5 seconds:

1 DMX OUT	2 DMX IN	3 Network	Description
Ⓟ	Ⓟ	Ⓟ	Unit OFF
Ⓡ	Ⓡ	Ⓡ	Unit error
Ⓢ	Ⓢ	Ⓢ	Unit has been reset successfully
Ⓟ	Ⓟ	Ⓡ or Ⓢ or Ⓟ	RDM protocol activated

• After initialisation:

1 DMX OUT	2 DMX IN		3 Network	
Ⓟ	Ⓟ		Ⓟ	Display auto-off
Ⓟ	Ⓢ	DMX protocol detected without data received	Ⓡ	No ethernet
Ⓟ			Ⓢ	Ethernet detected (link)
Ⓟ			Ⓟ	Ethernet detected + data
Ⓟ	Ⓟ	DMX protocol detected with data received	Ⓡ	No ethernet
Ⓟ			Ⓢ	Ethernet detected (link)
Ⓟ			Ⓟ	Ethernet detected + data
Ⓟ	Ⓡ	No DMX protocol detected	Ⓡ	No ethernet
Ⓟ			Ⓢ	Ethernet detected (link)
Ⓟ			Ⓟ	Ethernet detected + data
Ⓡ	Ⓡ		Ⓡ	Unit error

5.2.2 Parameters

5.2.2.1 Intensity

➔ Set through RDM protocol or web interface

Mode	Description
Display level	Adjust the intensity of the feedback LEDs

5.2.2.2 Auto-OFF

➔ Set through RDM protocol or web interface

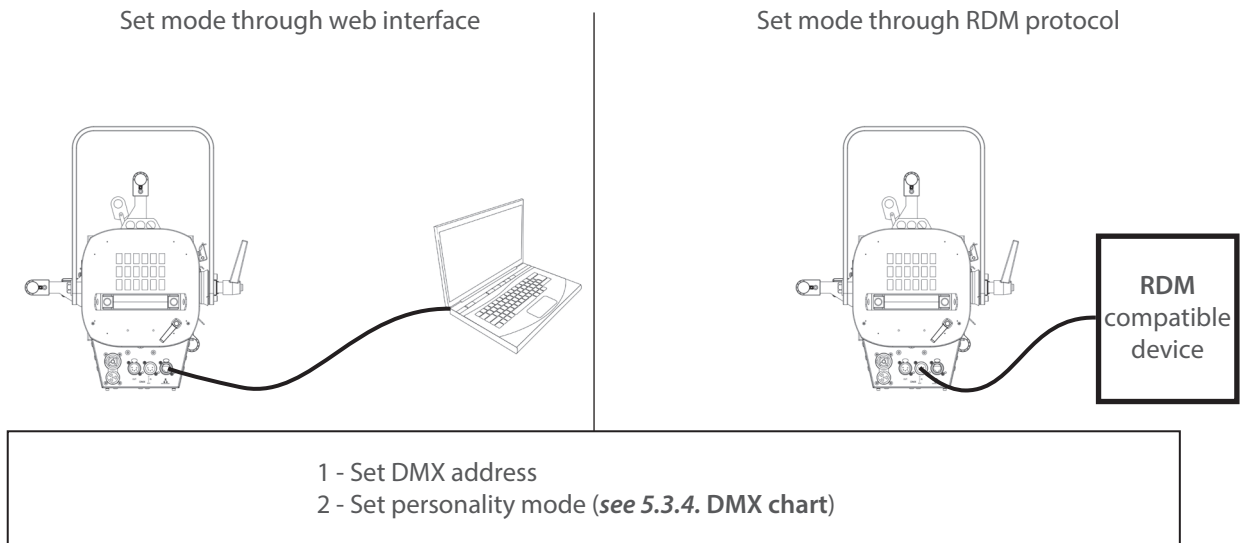
Mode	Description
Always ON	Main feedback LED, always ON
Timer without warning	Main feedback LED OFF after 20 seconds
Timer with warning	Main feedback LED OFF after 20 seconds, ON, if warning information occurs

5.3 DMX512 - A remote control

5.3.1 Protocol:

E1.11 – 2008, USITT DMX512-A

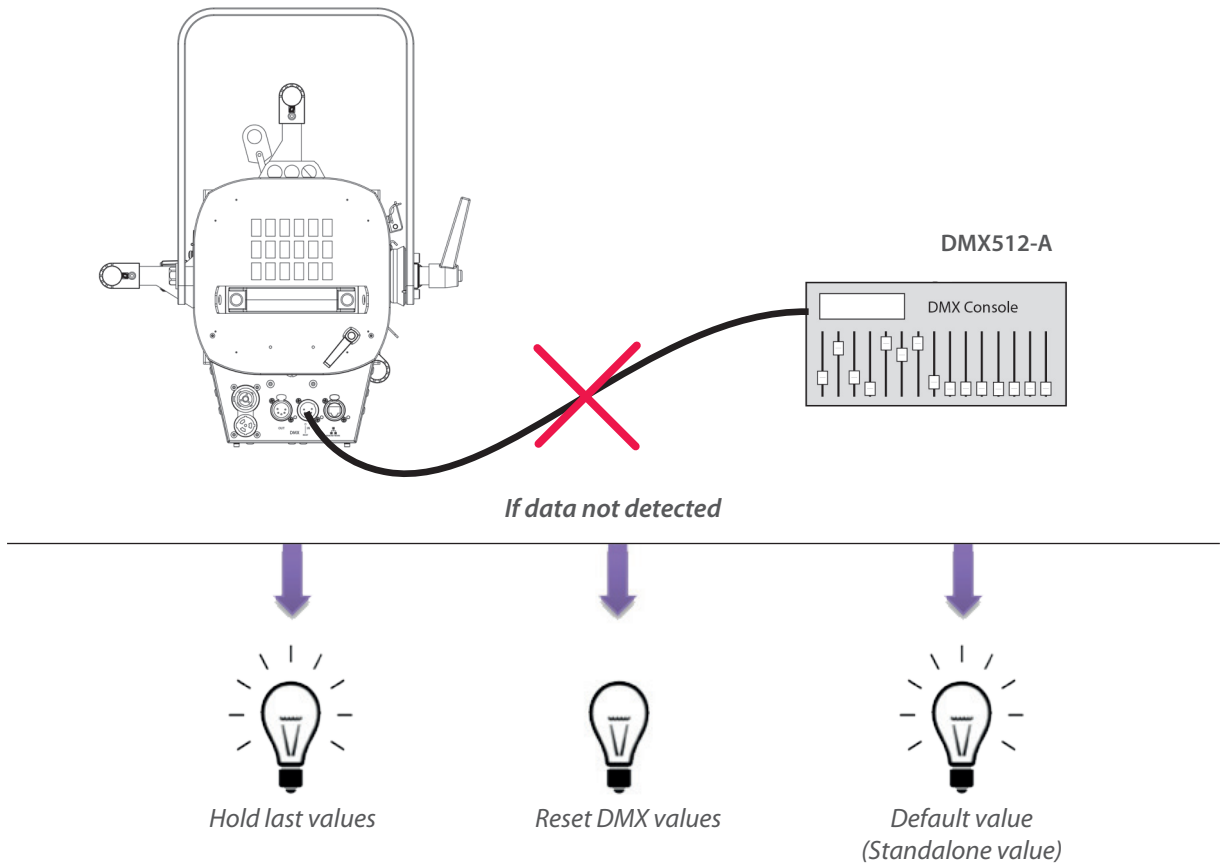
5.3.2 Configuration:



5.3.3 Parameters:

5.3.3.1 DMX Hold

→ Set through RDM protocol or web interface



5.3.4 DMX chart:

DMX address	Mode 1: Dimmer8B	Mode 2: Dimmer16B	Mode 3: Profile8B	Mode 4: Profile16b
1	Dimmer	Dimmer	Dimmer	Dimmer
2		Dimmer fine	Strobe duration	Dimmer fine
3			Strobe speed	Strobe duration
4			Response time	Strobe speed
5			Control mode	Response time
6				Control mode

5.3.5 DMX ranges:

5.3.5.1 Strobe duration

Range min	Range max	Function
0	0	Strobe OFF
1	255	Strobe ON - 1 ms → 20 ms

5.3.5.2 Strobe speed

Range min	Range max	Function
0	255	Frequency: 0,1 Hz → 10 Hz

5.3.5.3 Response time

Range min	Range max	Function
0	0	OFF
1	255	Dimmer timing: 0,1 s → 4 s

5.3.5.4 Control mode*

Range min	Range max	Function
0	0	
1	225	Not used

(*) Function activated after 5 seconds - needs to go back to zero to activate second function.

5.4 RDM remote control

5.4.1 Protocol: ANSI E1.20 – 2010 / ANSI E1.37 - 1

For more information about RDM protocol: <http://www.rdmprotocol.org/>

PID	Function	Comments	MSB	LSB	UID description	Get	Set
Network Management							
00 01	DISCOVERY_UNIQUE_BRANCH						
00 02	DISCOVERY_MUTE						X
00 03	DISCOVERY_UNMUTE						X
00 15	COMMUNICATION_STATUS					X	X
	Status Collection						
00 20	QUEUED_MESSAGE					X	
	RDM Information						
00 50	SUPPORTED_PARAMETERS					X	
00 51	PARAMETER_DESCRIPTION					X	
	Product Information						
00 60	DEVICE_INFO					X	
		Protocol Version	01	00	(ESTA RDM SOFTWARE VERSION)		
		Device Model_ID	10	14	(RJ MODEL REFERENCE)		
		Product Category	01	01	PRODUCT_CATEGORY_FIXTURE_FIXED		
		Software Version_ID					
		DMX512 Footprint					
		DMX Personality 1 To X					
		Start Address					
		Sub Device					
		Sensor Count					
00 70	PRODUCT_DETAIL_ID_LIST		00	04	PRODUCT_DETAIL_LED	X	
00 80	DEVICE_MODEL_DESCRIPTION				SULLY	X	
00 81	MANUFACTURER_LABEL				Robert Juliat	X	
00 82	DEVICE_LABEL				115W LED PROFILE	X	X
00 C0	SOFTWARE_VERSION_LABEL					X	
00 C2	BOOT_SOFTWARE_VERSION_LABEL					X	
DMX512 Setup							
00 E0	DMX512_PERSONALITY					X	X
00 E1	DMX512_PERSONALITY_DESCRIPTION					X	
00 F0	DMX512_STARTING_ADDRESS					X	X
01 20	SLOT_INFO					X	
01 21	SLOT_DESCRIPTION					X	
01 22	DEFAULT_SLOT_VALUE					X	
Sensors							
02 00	SENSOR_DEFINITION					X	
02 01	SENSOR_VALUE					X	
Dimmer Settings							
03 43	CURVE	E1.37-1				X	X
03 44	CURVE_DESCRIPTION	E1.37-1				X	
04 00	DEVICE_HOURS					X	
04 01	LAMP_HOURS	Set = Factory Locked				X	X
Control							
10 00	IDENTIFY_DEVICE					X	X
10 40	IDENTIFY_MODE	E1.37-1				X	X

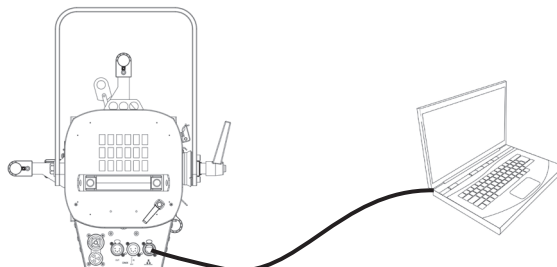
5.5 Art-Net remote control

5.5.1 Protocol: Artistic Licence Art-Net v3.

For more information about Art-Net protocol: <http://art-net.org.uk/>

5.5.2 Configuration:

Set mode through web interface
(see 5.1 Web interface)



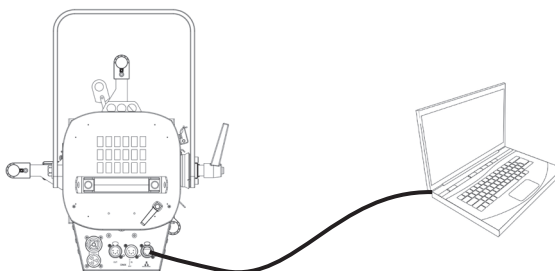
- 1 - If necessary, change IP settings
- 2 - Set ArtNet parameters : Net / SubNet / Universe
- 3 - Set DMX address
- 2 - Set personality mode (*see 5.3.4. DMX chart*)

5.6 sACN remote control

5.6.1 Protocol: ANSI E1.31 – 2009 sACN (Streaming-ACN)

5.6.2 Configuration:

Set mode through web interface
(see 5.1 Web interface)



- 1 - If necessary, change IP settings
- 2 - Set sACN universe
- 3 - Set DMX address
- 2 - Set personality mode (*see 5.3.4. DMX chart*)

6.1 Preventive maintenance

6.1.1 Frequency

General maintenance should be performed at least once a year or more frequently if the equipment is operated in adverse conditions (smoke, heat, humidity, touring, etc.).

6.1.2 General cleaning

Remove dust from the unit.

Front glasses can be cleaned with solutions containing alcohol.

6.1.3 General visual check

- No trace of heat.
- No loose contacts.
- No missing parts.
- Tighten mechanical assemblies (screws, bolts and nuts, etc.).

6.1.4 LED source

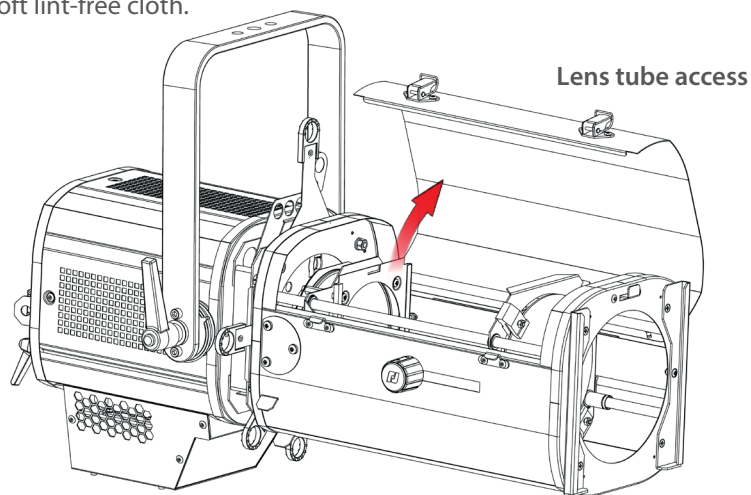


- Do not touch the surface of the LED source (no contact with your hands or any tools).
- Do not put compressed air directly on the source.
- Contact a certified RJ distributor in case of residuals or other objects located on the surface of the LED source.

6.1.5 Optics

Only use solutions containing alcohol to clean optical parts (lenses).

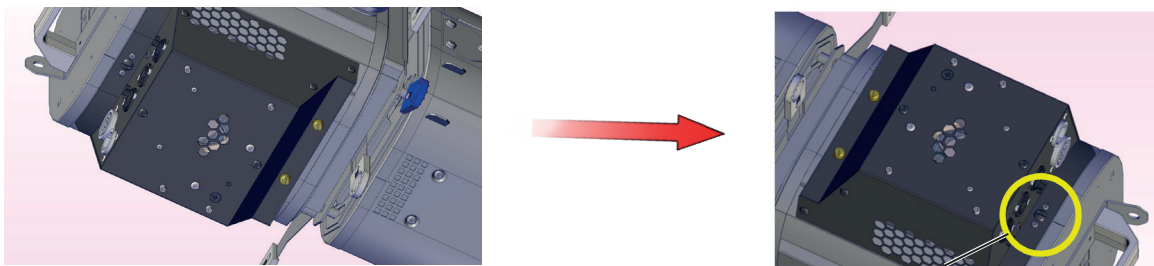
- To clean the optical parts, use a soft cloth in combination with distilled water or isopropyl alcohol recommended for coated optics. Do not use any cleaning product that contains solvents or abrasives, as these can cause surface damage.
- Dry with a soft lint-free cloth.



6.1.6 LED house cleaning

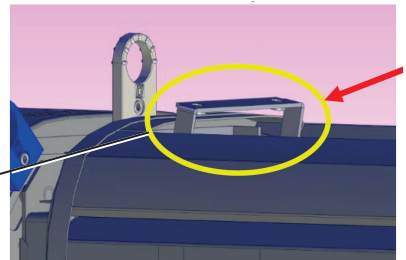
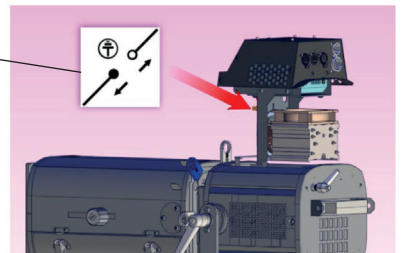
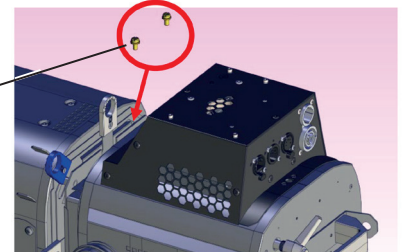
Inner parts & lens holder access:

- To clean the optical parts, use a soft cloth in combination with distilled water or isopropyl alcohol recommended for coated optics. Do not use any cleaning product that contains solvents or abrasives, as these can cause surface damage.
- Dry with a soft lint-free cloth.
- The double condenser system (aspheric and biconvex lenses) can easily be removed, without tools, by loosening the two wing nuts. The complete holder can then be removed for cleaning.



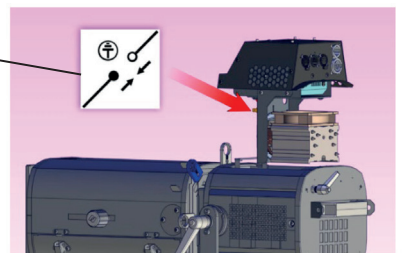
How to remove the Sully LED compartment for cleaning:

1. We recommend you place your luminaire on a flat clean surface.
Disconnect from the mains before servicing.
2. Unlock the quarter turn screw with a flat screwdriver.
3. Remove the two screws with a flat screwdriver.
4. Slightly slide out the LED compartment and remove the earth attachment before removing it completely from its housing.
5. Carefully place the LED compartment on a flat clean surface.



Sully LED compartment installation:

6. Extend the hinge to its maximum position to make it easily accessible. Insert the LED compartment into your luminaire, making sure it is positioned vertically to enable the LED compartment to enter the lamp house correctly.
7. Connect the ground connection (faston tab terminal) to the Sully LED compartment.
8. Once the LED compartment is fully inserted, remount tightly the two screws nearest the shutter gate. Re-tighten the quarter turn screw located at the back of the lamp base to lock the LED compartment securely into your luminaire.



6.2 Analysis

In case of problem, contact RJ distributor with the following information:

- Model, version and serial number of the product.
- From the menu status:
 - Software version
 - LED board IDs
 - Device hours
- Description of the problem.



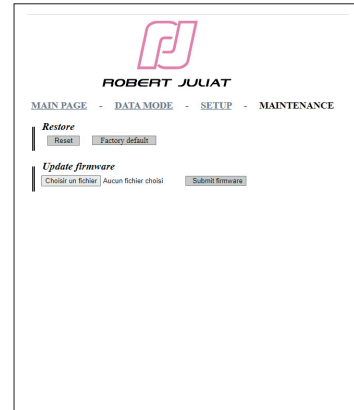
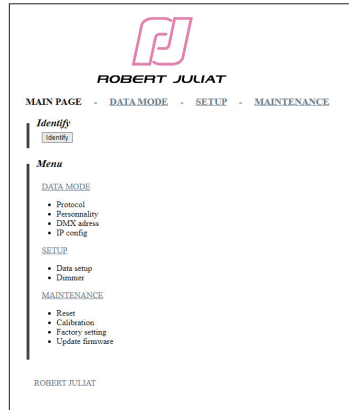
6.3 Electronic thermal management system

In case of overheating, light intensity will be reduced by the system.
Power reduction and temperature values are available by using a RDM protocol compatible device.

6.4 Firmware update

1. Firmware available on www.robertjuliat.com/profilespots/SULLY_650SX
2. Download and unzip the file
3. Switch on the unit
4. Connect Network from computer to the unit, if you don't have an Auto MDI-X or a switch, use a cross link cable
5. Open a web browser (Internet Explorer, Firefox, Chrome...)
6. Enter the URL address to connect to the web interface (*see 5.1*)

Screens in web browser:



7. Click on "MAINTENANCE"
8. Upload your firmware file (.upd2) in the "Update firmware" section and then click on 'Submit firmware'

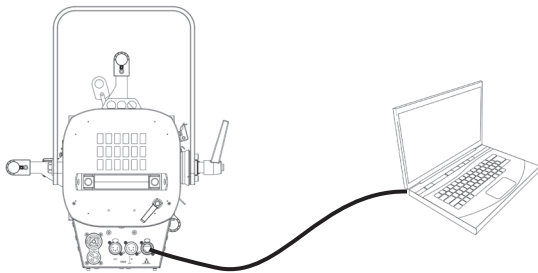
6.5 Factory defaults

6.5.1 Modes

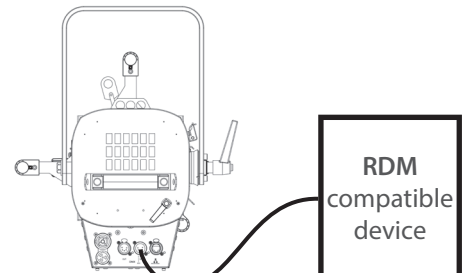
Mode	Description
Reset	Software reset – all user parameters are kept
Factory defaults	Set all user parameters to factory default value

6.5.2 Control

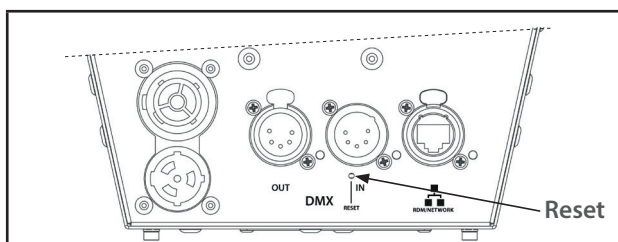
Set to factory defaults /
reset through web interface (maintenance page)



Set to factory defaults /
reset through RDM protocol



→ If IP address unknown (due to a previous modification), IP address can be read from RDM protocol or a **hard reset** must be done:



While holding down the **reset** button with a paper clip, connect the unit to power and continue to hold the reset button until the 3 status light turn green.
The system is then ready for setup.